



# MBS

## Motor protection switches

The MBS-series exists of motor protection switches which protect fan motors against overload and phase failure. The current range is 0,4-25 Amps. For these switches an IP55 housing is available. For single-phase motors provided with a thermo contact a special version is available.

### Advantages

- Optimal protection of the fan motor
- Solid
- Reliable

### Features

- Current range from 0,4 to 25 Amps (depending on type)
- Applicable as on/off and lockable operating switch
- Testing possibility
- Adjustable current range (MBSESM-series)
- Modular system
- IP55 housing available



MS series



IP55 housing

## Overview MBS motor protection switches

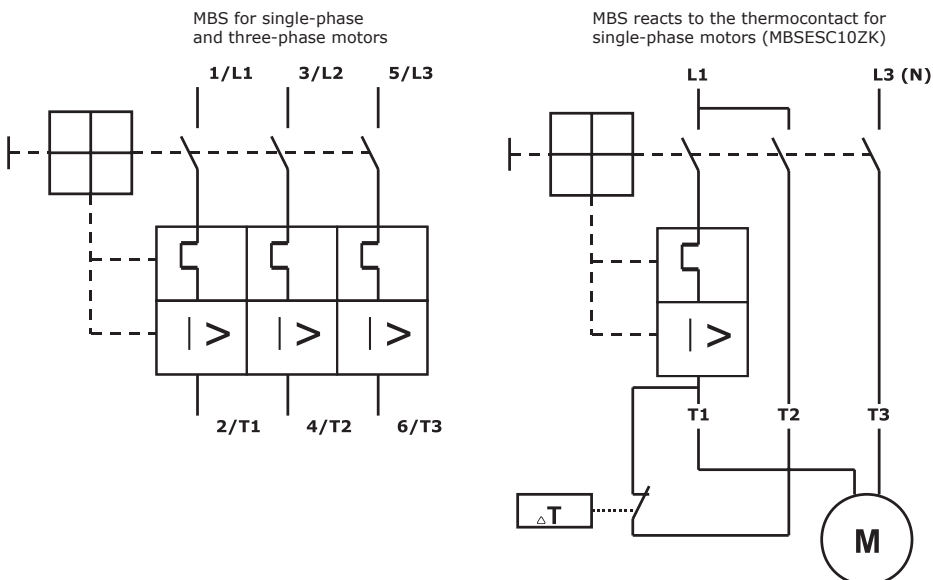
MBS motor protection switch for single-phase and three-phase motors		
Setting range in Amps.	Article number	Version
0,40-0,63	MBSESM063	interior
0,63-1,00	MBSESM1	interior
1,00-1,60	MBSESM116	interior
1,60-2,50	MBSESM125	interior
2,50-4,00	MBSESM4	interior
4,00-6,30	MBSESM463	interior
6,30-10,0	MBSESM10	interior
10,0-16,0	MBSESM16	interior
20,0-25,0	MBSESM25	interior

MBS motor protection switch for single-phase motors provided with thermo contact		
Setting range in Amps.	Article number	Version
0,40-10	MBSESC10ZK	interior

MBS Options	Article number	Version
IP55 housing for MBS	MBSESMGE1	Housing

## Diagram Motor Protection Switches

### MBS Motor Protection Switches



**Vostermans Ventilation developed the open modular system Mf-Net for various applications. Mf-Net is applied in agricultural and industrial market segments.**

All rights reserved. Vostermans Companies is not responsible for inaccurate or incomplete data. In case of questions and / or regards, please contact [ventilation@vostermans.com](mailto:ventilation@vostermans.com)



Vostermans Ventilation B.V. develops, manufactures and distributes the full line of:



Venlo - the Netherlands  
Tel. +31 (0)77 389 32 32  
[ventilation@vostermans.com](mailto:ventilation@vostermans.com)

Tmn Klang Jaya - Malaysia  
Tel. +60 (0) 3 3324 3638  
[ventilation@vostermansasia.com](mailto:ventilation@vostermansasia.com)

Bloomington, IL- USA  
Tel. +1 309 827-9798  
[ventilation@vostermansusa.com](mailto:ventilation@vostermansusa.com)

Shanghai - China  
Tel. +86 21 5290 2889/2899  
[ventilation@vostermanschina.com](mailto:ventilation@vostermanschina.com)