

# Multifan



## Panel Fans

For agricultural and industrial applications



**VOSTERMANS**  
VENTILATION

YOUR SPECIALIST IN AIR

## Technical data single-phase 230 V / 50 Hz

Ø (mm)	RPM	Item	Type	P <sub>in</sub> at 0 Pa (W)	SFP at 0 Pa (W/1000 m <sup>3</sup> /h)	I <sub>1</sub> at 0 Pa (Δ) (A)	I <sub>2</sub> at 0 Pa (Y) (A)	I <sub>1</sub> max (Δ) (A)	I <sub>2</sub> max (Y) (A)	Q <sub>v</sub> (m <sup>3</sup> /h)						Controllability*	L <sub>PA</sub> ** dB (A)
										0 Pa	30 Pa	50 Pa	80 Pa	100 Pa	150 Pa		
200	1400	VWS20A01M1D	VWE20	60	92,3	0,5	-	0,5	-	650	-	-	-	-	-	E / T	43
250	1370	VWS25A01M1D	VWE25	100	83,3	0,7	-	0,7	-	1.200	-	-	-	-	-	E / T	45
300	2750	V2E30A0M10100	2E30	360	97,3	1,6	-	1,7	-	3.700	3.450	3.350	3.100	2.950	2.450	E / T	61
300	1400	V4E30A0M10100	4E30	100	42,6	0,5	-	0,6	-	2.300	2.050	1.700	-	-	-	E / T	44
350	1400	V4E35A0M10100	4E35	150	42,9	0,8	-	0,9	-	3.500	3.100	2.850	-	-	-	E / T	47
400	1405	V4E40A4M10100	4E40	230	47,4	1,2	-	1,3	-	4.850	4.400	4.100	3.400	-	-	E / T	50
450	1400	V4E45A0M10100	4E45	300	47,2	1,4	-	1,6	-	6.350	5.850	5.400	4.550	-	-	E / T	52
500	1400	V4E50A0M10100	4E50	450	53,6	1,9	-	2,1	-	8.400	7.750	7.250	6.350	5.550	-	E / T	55
500	1400	V4E50A1M10100	4E50-PG40	580	59,5	2,7	-	4,0	-	9.750	9.200	8.750	8.060	7.500	-	E / T	59
560	950	V6E56A6M10100	6E56	430	46,4	1,9	-	2,1	-	9.200	8.390	7.750	6.900	-	-	E / T	55
630	910	V6E63A3M10100	6E63	560	45,5	2,5	-	2,7	-	12.300	11.300	10.400	8.700	-	-	E / T	55
710	910	V6E71A0M10100	6E71	590	43,3	2,8	-	3,5	-	13.600	12.250	11.300	9.700	-	-	E / T	60
920	920	V6E92A0M10100	6E92	750	35,7	3,3	-	3,8	-	21.000	18.600	16.800	13.900	-	-	T	61
920	935	V6E92A3M10100	6E92-3PG30	650	36,1	2,9	-	3,8	-	18.000	16.300	14.600	11.900	-	-	E / T	61

## Technical data three-phase 230/400 V / 50 Hz

Ø (mm)	RPM	Item	Type	P <sub>in</sub> at 0 Pa (W)	SFP at 0 Pa (W/1000 m <sup>3</sup> /h)	I <sub>1</sub> at 0 Pa (Δ) (A)	I <sub>2</sub> at 0 Pa (Y) (A)	I <sub>1</sub> max (Δ) (A)	I <sub>2</sub> max (Y) (A)	Q <sub>v</sub> (m <sup>3</sup> /h)						Controllability*	L <sub>PA</sub> ** dB (A)
										0 Pa	30 Pa	50 Pa	80 Pa	100 Pa	150 Pa		
300	2750	V2D30A0M10100	2D30	330	89,2	1,2	0,7	1,3	0,7	3.700	3.550	3.400	3.200	3.050	2500	T / F	62
300	1450	V4D30A0M10100	4D30	90	39,1	0,5	0,3	0,5	0,3	2.300	2.000	1.700	-	-	-	T / F	44
350	1450	V4D35A0M10100	4D35	160	45,7	0,9	0,5	0,9	0,5	3.500	3.150	2.900	-	-	-	T / F	47
400	1400	V4D40A4M10100	4D40	210	43,3	1	0,6	1	0,6	4.850	4.400	4.050	3.350	-	-	T / F	50
450	1350	V4D45A0M10100	4D45	290	45,3	1,2	0,7	1,2	0,7	6.400	5.850	5.400	4.500	-	-	T / F	52
500	1400	V4D50A0M10100	4D50	380	45,5	1,8	1,1	1,9	1,1	8.350	7.700	7.150	6.300	5.450	-	T / F	55
560	1455	V4D56AAM10100	4D56	950	70,1	3,6	2,1	3,8	2,2	13.550	13.000	12.000	11.300	10.800	-	T / F	61
630	1360	V4D63AAM10100	4D63	1100	69,2	3,9	2,3	4,2	2,4	15.900	15.200	14.700	13.800	13.400	11.700	T / F	63
710	1435	V4D71AAM10100	4D71	1150	65,7	3,9	2,2	4,3	2,5	17.500	16.800	16.300	15.300	15.000	13.300	F	64
710	1375	V4D71A0M10100	4D71	1800	85,8	7,5	4,4	9,7	5,6	21.200	20.200	19.500	18.400	17.600	15.700	T / F	69
450	940	V6D45A2M10100	6D45-6PP-40	200	40,5	1	0,6	1,2	0,7	4.900	4.300	3.700	-	-	-	T / F	48
500	930	V6D50A1M10100	6D50	220	35,2	1	0,6	1,2	0,7	6.250	5.500	4.650	-	-	-	T / F	50
560	890	V6D56A0M10100	6D56	290	34,5	1,1	0,6	1,3	0,7	8.450	7.400	6.500	-	-	-	T / F	49
630	905	V6D63A4M10100	6D63-5PG-40	560	46,1	2,1	1,2	2,5	1,5	12.200	11.100	10.300	8.700	-	-	T / F	54
710	895	V6D71B1M10100	6D71	760	53,9	2,6	1,5	2,7	1,6	15.700	14.300	13.300	11.500	-	-	T / F	56
920	895	V6D92A1M10100	6D92	670	32,9	2,4	1,4	2,7	1,5	20.400	18.100	16.200	13.200	-	-	T / F	61
920	905	V6D92A2M10100	6D92-3PG-28	1050	42,5	4,1	2,4	5	2,9	24.500	22.600	20.500	17.300	14.300	-	T / F	63

Data according ErP (Energy related Products)-directives (EU Commission Regulation 327/2011). Measurements without wireguard.

\* E = Electronically controllable (electronic voltage control by TRIAC)

T = Trafo controllable (voltage control by transformer)

F = Frequency controllable by frequency controller. A frequency controller in combination with a single-phase motor is possible.

\*\* Sound pressure level measured at 7 meter, free blowing distance. All motors meet the IP55 standard.

Dimensions (mm)

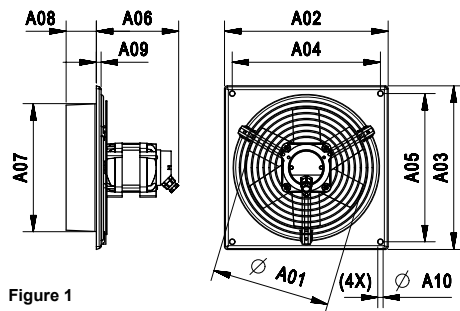


Figure 1

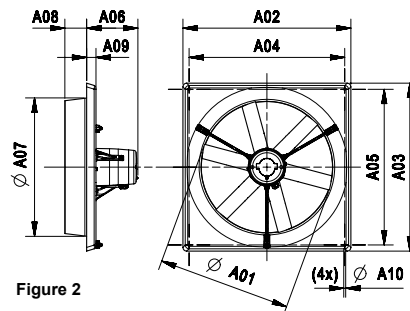


Figure 2

Item		A01	A02	A03	A04	A05	A06	A07	A08	A09	A10	Weight (kg)	Packaging (LxBxH)
VWS20A01M1D	Figure 1	200	276	276	250	250	139	216	51	8	9	3,3	280 x 280 x 190
VWS25A01M1D	Figure 1	250	326	326	300	300	149	266	51	8	9	4,1	330 x 330 x 190
V2E30A0M10100	Figure 2	312	443	443	395	395	192	340	84	36	8	9	450 x 450 x 289
V4E30A0M10100	Figure 2	312	443	443	395	395	192	340	84	36	8	8,9	450 x 450 x 289
V4E35A0M10100	Figure 2	362	493	493	445	445	192	390	84	36	8	8,5	500 x 500 x 289
V4E40A4M10100	Figure 2	415	543	543	495	495	192	440	84	36	8	8,8	550 x 550 x 289
V4E45A0M10100	Figure 2	460	593	593	545	545	192	490	84	36	8	10,6	600 x 600 x 289
V4E50A0M10100	Figure 2	512	648	648	600	600	192	540	84	36	8	12,8	654 x 654 x 289
V4E50A1M10100	Figure 2	512	648	648	600	600	247	540	84	36	8	21,5	654 x 654 x 289
V6E56A6M10100	Figure 2	574	700	700	640	640	247	600	105	40	10	21,5	705 x 705 x 370
V6E63A3M10100	Figure 2	646	775	775	715	715	247	670	105	40	10	21,1	780 x 780 x 353
V6E71A0M10100	Figure 2	712	850	850	790	790	247	740	105	40	10	21,2	855 x 855 x 353
V6E92A0M10100	Figure 2	915	1005	1005	947	947	247	940	93	40	10	24	-
V6E92A3M10100	Figure 2	915	1005	1005	947	947	247	940	93	40	10	24	-
V2D30A0M10100	Figure 2	312	443	443	395	395	192	340	84	36	8	10	450 x 450 x 289
V4D30A0M10100	Figure 2	312	443	443	395	395	192	340	84	36	8	8,8	450 x 450 x 289
V4D35A0M10100	Figure 2	362	493	493	445	445	192	390	84	36	8	9,6	500 x 500 x 289
V4D40A4M10100	Figure 2	415	543	543	495	495	192	440	84	36	8	8,5	450 x 450 x 289
V4D45A0M10100	Figure 2	460	593	593	545	545	192	490	84	36	8	11,5	600 x 600 x 289
V4D50A0M10100	Figure 2	512	648	648	600	600	192	540	84	36	8	10,7	654 x 654 x 289
V4D56AAM10100	Figure 2	574	700	700	640	640	247	600	105	40	10	18,4	705 x 705 x 370
V4D63AAM10100	Figure 2	646	775	775	715	715	247	670	105	40	10	21,6	780 x 780 x 353
V4D71A0M10100	Figure 2	712	850	850	790	790	247	740	105	40	10	23,9	855 x 855 x 353
V6D45A2M10100	Figure 2	460	593	593	545	545	192	490	84	36	8	11	600 x 600 x 289
V6D50A1M10100	Figure 2	512	648	648	600	600	192	540	84	36	8	13	654 x 654 x 289
V6D56A0M10100	Figure 2	574	700	700	640	640	247	600	105	40	10	14,8	705 x 705 x 370
V6D63A4M10100	Figure 2	646	775	775	715	715	247	670	105	40	10	20	780 x 780 x 353
V6D71B1M10100	Figure 2	712	850	850	790	790	247	740	105	40	10	21,3	855 x 855 x 353
V6D92A1M10100	Figure 2	915	1005	1005	947	947	247	940	93	40	10	25	-
V6D92A2M10100	Figure 2	915	1005	1005	947	947	247	940	93	40	10	24,1	-

Why choose Vostermans Ventilation:

LOYAL TO YOU

We care for your specific needs based on our long expertise. In close cooperation with you we secure your business outcomes.

RELIABLE

Since our foundation in the Netherlands in 1952, we maintain our reputation as reliable partner. Our carefully selected global network of independent distributors strive to deliver you dedicated service and expertise.

FUTURE PROOF

Our future proof approach, which combines energy efficiency solutions with robust quality and rigorous testing, is based on a genuine commitment to serve as a trusted partner.

Vostermans Ventilation is a global developer and manufacturer of sustainable axial fans for the agricultural and industrial market. Sustainability is key for Vostermans. Their premium brandlines Multifan and EMI are showcasing the drive for advanced energy efficient fans. The company applies continuous innovation and research in their own motor production facility and in house state of the art R&D department. Vostermans Ventilation, part of Vostermans Companies founded in 1952, is based in Venlo, the Netherlands and operates in USA, China and Malaysia.



YOUR SPECIALIST IN AIR

All rights reserved. Vostermans Companies is not responsible for inaccurate or incomplete data. In case of any questions and / or remarks please contact ventilation@vostermans.com. Subject to alterations 05/2019

Venlo - The Netherlands  
Tel. +31 (0)77 389 32 32  
ventilation@vostermans.com

Bloomington, IL- USA  
Tel. +1 309 827-9798  
ventilation@vostermansusa.com

Tmn Klang Jaya - Malaysia  
Tel. +60 (0)3 3324 3638  
ventilation@vostermansasia.com

Shanghai - China  
Tel. +86 21 5290 2889/2899  
ventilation@vostermanschina.com