



## Low pressure nozzle system for greenhouses

The Multifan low pressure nozzle system for greenhouses can be easily integrated in existing climate control systems. A water pump creating a water pressure of 4-5 Bar is a relative low investment for a cooling system. Through a timer and/or a hygrostat/thermostat, the manager can influence the temperature and humidity in the house in a simple way. Actually, the Low Pressure Nozzle System has the unique feature that it can be used as a cooling system AND as a recirculation system to create an uniform distribution of the heat: really a “2 in 1” system!

### Advantages

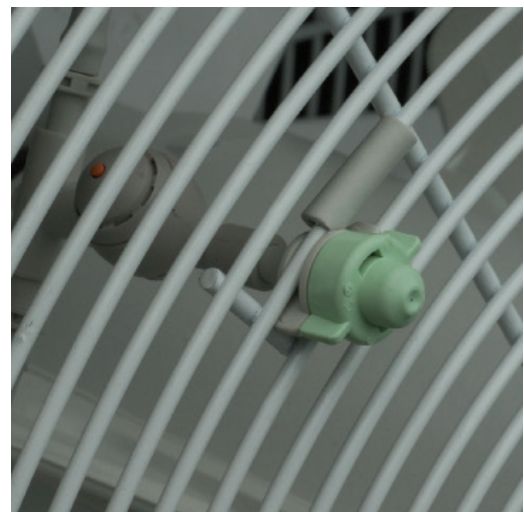
- Lowers the temperature in greenhouses
- Reduces heat stress
- Reliable system: 3 year warranty on the fan
- Optimal distribution of the mist
- Flexible to adapt to local circumstances
- Low maintenance level
- Climate control at low cost
- Easy to install

### Easy to install

During the design, an easy to install system was chosen. All the connections of the water line are easily fixed in a robust way. The complete water distribution set is integrated in the fan grill and therefore easy to mount. The recirculation fan is supplied with two suspension holes and is installed in a jiffy. Because of the low pressure system standard water distribution lines can be used for the water supply of the individual fans. The nozzle system will be delivered as a separate set, which contains:

- wire guard for 50 cm recirculation fan
- 8 nozzles with hoses

and can be easily mounted on the Multifan 50 cm Recirculation fan.



# Technical information

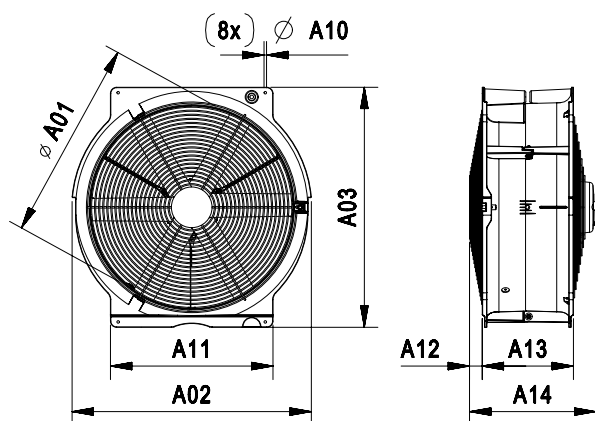
	$\phi$	Fan type	$I_{nom}$	$P_{in}$	$Q_v$ (m <sup>3</sup> /h)	$L_{pa}^*$	Dimensions packing (l x w x h)	Weight
	mm		(A)	(W)	at 0 Pa		(mm)	(kg)
1~230 V 50 Hz 1400 RPM	518	TB4E50Q	1,8	390	7.760	55	635x635x365	17
3~230 / 400 V 50 Hz	518	TB4D50Q	1,9 / 1,1	400	7.760	55	635x635x365	17
1~230 V 50 Hz 900 RPM	518	TB6E50Q	1,4	300	7.060	51	635x635x365	17

(\*) Sound pressure level measured at 7 m. free blowing distance.

## Water supply data

Number of nozzles	1 to 8 nozzles
Average drop sizes (at pressure of 4 Bar)	65 Micron / MMD (Mass Medium Diameter)
Supply per nozzle	5,5 litre / hour (at 4,0 Bar)
Supply per fan	44 litre / hour (at 4,0 Bar)
Requested water pressure	4-5 Bar
Necessary filtering	120 mesh / 130 micron
No. of fans	flexible amount per area/animal/local conditions

## Dimensions



Dimensions (mm)								
$\phi$ mm	A01	A02	A03	A10	A11	A12	A13	A14
500	518	620	620	6,5	420	33	236	327



**VOSTERMANS**  
VENTILATION

Vostermans Ventilation B.V.  
P.O. Box 3025  
NL-5902 RA Venlo – Holland  
Tel. +31 (0)77 389 32 32  
Fax +31 (0)77 382 08 93  
[ventilation@vostermans.com](mailto:ventilation@vostermans.com)  
[www.vostermans.com](http://www.vostermans.com)

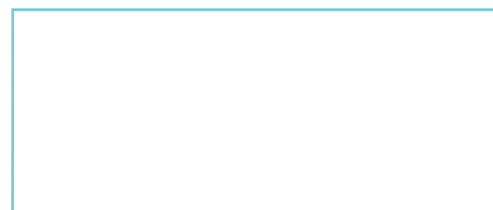
Vostermans Ventilation S.A.R.L.  
B.P. 1801  
27018 Evreux Cedex  
France  
Tel. +33 (0)2 32 38 11 00  
Fax +33 (0)2 32 33 37 12  
[ventilation@vostermansfrance.com](mailto:ventilation@vostermansfrance.com)  
[www.vostermans.com](http://www.vostermans.com)

Vostermans Ventilation Inc.  
2439 S.Main St. – USA  
Bloomington, IL 61704  
Tel. +1 309 827 - 9798  
Fax +1 309 829 - 1993  
[ventilation@vostermansusa.com](mailto:ventilation@vostermansusa.com)  
[www.vostermansusa.com](http://www.vostermansusa.com)

Vostermans Ventilation Sdn. Bhd.  
330, Lot 2593, Jln Seruling 59, Kws3,  
Tmn Klang Jaya, 41200, Klang,  
Selangor D.E., Malaysia  
Tel. +60 (0)33324 3638 (HL)  
Fax +60 (0)33324 1239  
[ventilation@vostermansasia.com](mailto:ventilation@vostermansasia.com)  
[www.vostermans.com](http://www.vostermans.com)

Vostermans Ventilation B.V. develops, manufactures and distributes the full line of:

**Multifan** 



All rights reserved. Vostermans Companies is not responsible for inaccurate or incomplete data. In case of questions and / or regards, please contact [ventilation@vostermans.com](mailto:ventilation@vostermans.com)



Subject to alterations 05/2012