



Low pressure nozzle system for animals

To cool livestock buildings or industrial rooms, Vostermans Ventilation developed a Low pressure nozzle system. This system evaporates water into very small airdrops, that reduce the temperature. The big throw of the fan guarantees an optimal spread of the fog. Also the humidity of the fog can be adjusted.

Advantages

- Lowers the temperature in animal houses
- Reduces heat stress
- Reliable system: 3 year warranty on the fan
- Optimal distribution of the mist
- Flexible to adapt to local circumstances
- Low maintenance level
- Climate control at low cost
- Easy to install
- Standard with 8 nozzles



Easy to install

During the design, an easy to install system was chosen. All the connections of the water line are easily fixed in a robust way. The complete water distribution set is integrated in the fan grill and therefore easy to mount. The recirculation fan is supplied with two suspension holes and is installed in a jiffy. Because of the low pressure system standard water distribution lines can be used for the water supply of the individual fans.

The nozzle system will be delivered as a separate set, which contains:

- wire guard for 50 cm recirculation fan
- 8 nozzles with hoses
- east to mount on the Multifan 50 cm Recirculation fan.



Technical Information

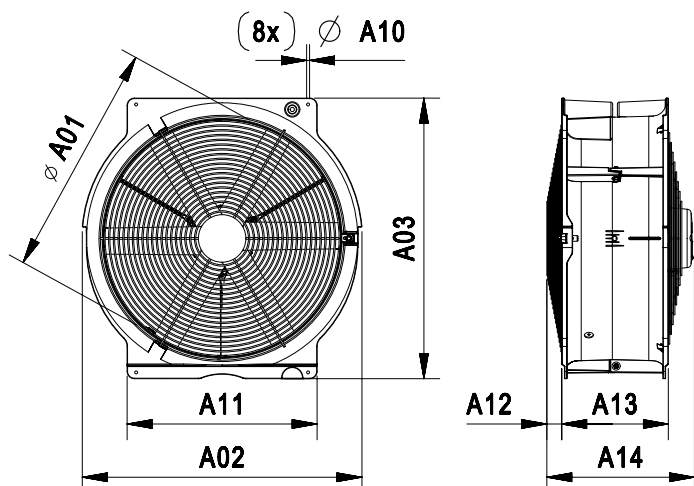
Voltage / Frequency	RPM	∅	Fan type	I _{nom}	P _{in}	Q _v (m ³ /St)	L _{pa} *	Dimensions packaging (l x w x h)	Gewicht
		mm		(A)	(W)	at 0 Pa		(mm)	(kg)
1~230 V 50 Hz	1400 RPM	518	TB4E50Q	1,8	390	7.760	55	635x635x365	17
		518	TB4D50Q	1,9 / 1,1	400	7.760	55	635x635x365	17
1~230 V 50 Hz	900 RPM	518	TB6E50Q	1,4	300	7.060	51	635x635x365	17

(* Sound pressure level measured at 7 m. free blowing distance.

Water supply data

Number of nozzles	1 to 8 nozzles
Average drop sizes (at 4 Bar)	65 micron / MMD (Mass Medium Diameter)
Supply per nozzle	5,5 litre / hour (at 4,0 Bar)
Supply per fan	44 litre / hour (at 4,0 Bar)
Requested water pressure	4-5 Bar
Necessary filtering	120 mesh / 130 micron
No. of fans	flexible amount per area/animal/local conditions

Dimensions



Dimensions (mm)								
∅ mm	A01	A02	A03	A10	A11	A12	A13	A14
500	518	620	620	6,5	420	33	236	327



VOSTERMANS VENTILATION

Vostermans Ventilation B.V.
P.O. Box 3025
NL-5902 RA Venlo – Holland
Tel. +31 (0)77 389 32 32
Fax +31 (0)77 382 08 93
ventilation@vostermans.com
www.vostermans.com

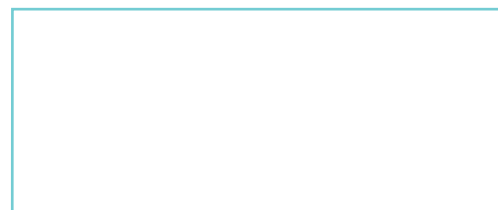
Vostermans Ventilation S.A.R.L.
B.P. 1801
27018 Evreux Cedex
France
Tel. +33 (0)2 32 38 11 00
Fax +33 (0)2 32 33 37 12
ventilation@vostermansfrance.com
www.vostermans.com

Vostermans Ventilation Inc.
2439 S.Main St. – USA
Bloomington, IL 61704
Tel. +1 309 827 - 9798
Fax +1 309 829 - 1993
ventilation@vostermansusa.com
www.vostermansusa.com

Vostermans Ventilation Sdn. Bhd.
330, Lot 2593, Jln Seruling 59, Kws3,
Tmn Klang Jaya, 41200, Klang,
Selangor D.E., Malaysia
Tel. +60 (0)33324 3638 (HL)
Fax +60 (0)33324 1239
ventilation@vostermansasia.com
www.vostermans.com

Vostermans Ventilation B.V. develops, produces and distributes the full line of:

Multifan 



All rights reserved. Vostermans Companies is not responsible for inaccurate or incomplete data. In case of any questions and / or remarks please contact ventilation@vostermans.com

