



Multifan 130

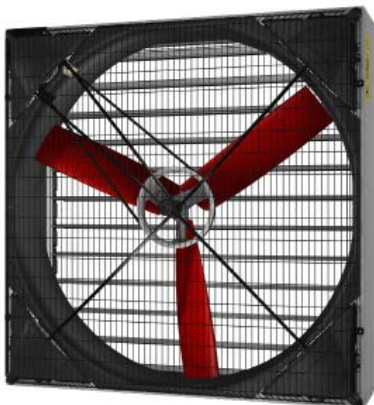
Through the aerodynamic design of the Multifan 130, Vostermans Ventilation can offer the market a fan with high air volumes (45.600 m³/h at 0 Pa) with a very low power consumption (36,9 W/1000 m³/h). Tunnel or length ventilated houses demand, through higher product performances higher quantities of fresh air at low cost.

Advantages

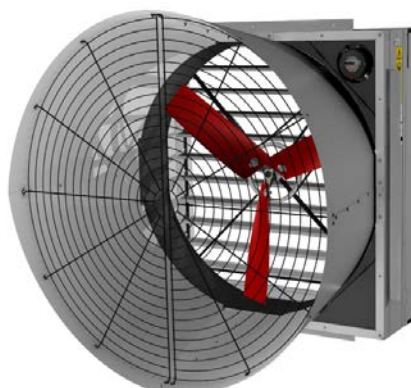
- Designed to allow minimal air losses
- The blades are especially 3-dimensionally shaped providing a maximal air performance of the fan
- Low noise level
- High air flow with minimal effort
- Durability as an asset
- Materials resistant against aggressive climates
- Easy to clean for optimal hygiene
- For higher pressures in poultry- or pig farms (from 60-100 Pa) a 5-blade Multifan 130 is available
- Available with cone fan and with shutter on the inside, providing further possibilities for increasing the airflow capacity

Optional

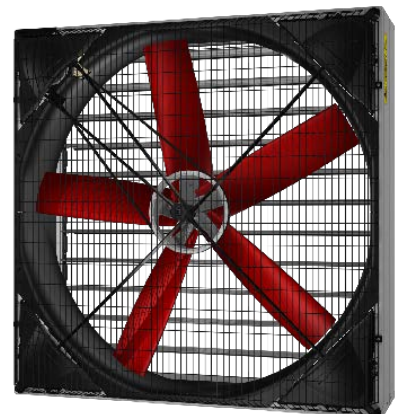
- Controllable with frequency controller
- CE-wire guard
- Multiple versions available: 3 blade version, 5-blade version, with cone or single-phase fans



Multifan 130 with 3-blades



Multifan 130 with Cone



Multifan 130 with 5-blades

Technical data (1,5 HP Models)

3~ 230/400 V 50 Hz; 240/420 V 60 Hz	P _{in}	Q _v (m ³ /h)						
		0 Pa	20 Pa	40 Pa	60 Pa	80 Pa	90 Pa	100 Pa
Multifan 130 with 3 blades	1650	45.600	41.370	37.030	30.940	-	-	-
Multifan 130 with 5 blades	1650	39.270	36.360	33.410	29.300	26.010	23.790	21.600
Multifan 130 with cone 3 blades	1650	47.470	43.930	39.590	-	-	-	-
Multifan 130 with cone 5 blades	1650	42.570	39.580	36.450	33.290	28.450	25.410	-

3~ 230/400 V 50 Hz; 240/420 V 60 Hz	SFP (W/1000 m ³ /h)	I _{nom} Δ / Y		I _{max} Δ / Y		L _{PA} * dB(A)
		at 0 Pa		at 50 Hz		
		at 60 Hz		at 60 Hz		
Multifan 130 with 3 blades	36,9	5,2 / 3,0	5,9 / 3,3	4,8 / 2,8	5,3 / 3,1	65
Multifan 130 with 5 blades	38,6	5,2 / 3,0	5,9 / 3,3	4,8 / 2,8	5,3 / 3,1	64
Multifan 130 with cone 3 blades	31,8	5,2 / 3,0	5,9 / 3,3	4,8 / 2,8	5,3 / 3,1	64
Multifan 130 with cone 5 blades	34,1	5,2 / 3,0	5,9 / 3,3	4,8 / 2,8	5,3 / 3,1	65

* Sound pressure level measured at 7 m. free blowing distance.

Dimensions

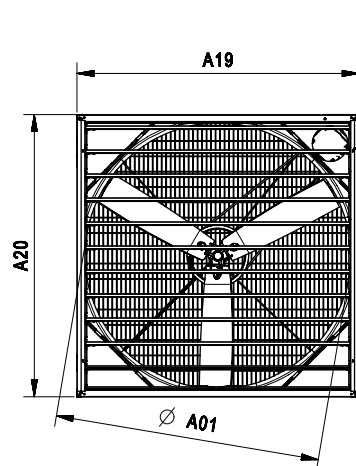


Figure 1: Multifan 130 3-blades and 5-blades

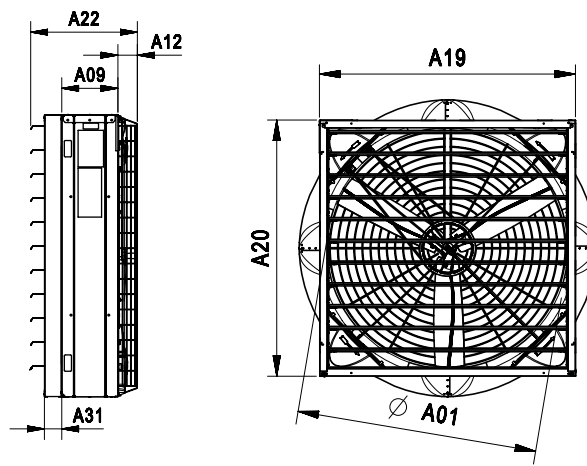
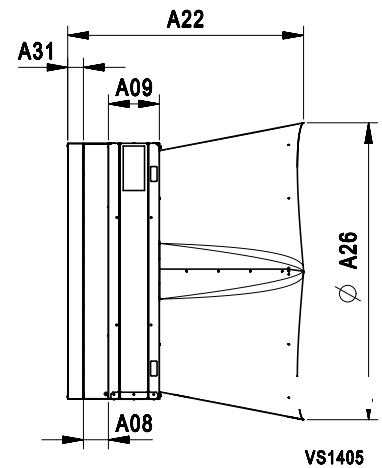


Figure 2: Multifan 130 with cone 3-blades and 5-blades



VS1405

	Dimensions (mm)								
	A01	A08	A09	A12	A19	A20	A22	A26	A31
Figure 1	1284	-	275	96	1382	1382	523	-	85
Figure 2	1284	135	275	-	1382	1382	1275	1600	85



VOSTERMANS VENTILATION

Vostermans Ventilation B.V.
P.O. Box 3025
NL-5902 RA Venlo – Holland
Tel. +31 (0)77 389 32 32
Fax +31 (0)77 382 08 93
ventilation@vostermans.com
www.vostermans.com

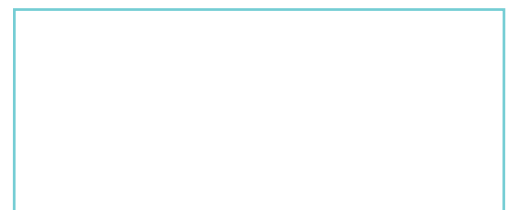
Vostermans Ventilation S.A.R.L.
B.P. 1801
27018 Evreux Cedex
France
Tel. +33 (0)2 32 38 11 00
Fax +33 (0)2 32 33 37 12
ventilation@vostermansfrance.com
www.vostermans.com

Vostermans Ventilation Inc.
2439 S.Main St. – USA
Bloomington, IL 61704
Tel. +1 309 827 - 9798
Fax +1 309 829 - 1993
ventilation@vostermansusa.com
www.vostermansusa.com

Vostermans Ventilation Sdn. Bhd.
330, Lot 2593, Jln Seruling 59, Kws3,
Tmn Klang Jaya, 41200, Klang,
Selangor D.E., Malaysia
Tel. +60 (0)33324 3638 (HL)
Fax +60 (0)33324 1239
ventilation@vostermansasia.com
www.vostermans.com

Vostermans Ventilation B.V. develops, manufactures and distributes the full line of:

Multifan



All rights reserved. Vostermans Companies is not responsible for inaccurate or incomplete data. In case of questions and / or regards, please contact ventilation@vostermans.com

Subject to alterations 05/2012