

Dimensions

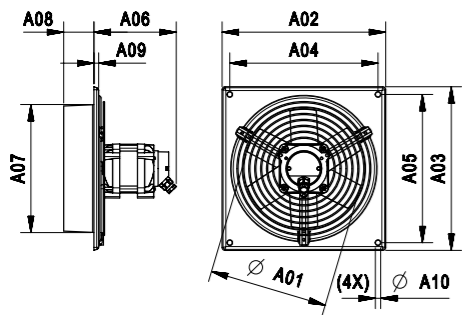


Figure 1

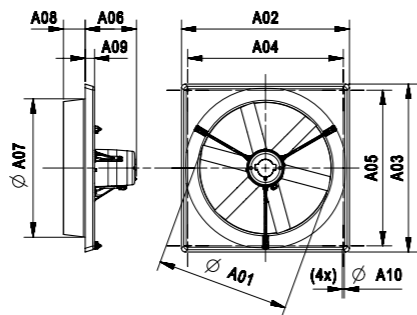


Figure 2

Item	Figure	Dimensions (mm)										Weight (kg)	Dimensions packaging (L x B x H) (mm)
		A01	A02	A03	A04	A05	A06	A07	A08	A09	A10		
VWS20A01M1D	Figure 1	200	276	276	250	250	139	216	51	8	9	3,3	280 x 280 x 190
VWS25A01M1D	Figure 1	250	326	326	300	300	149	266	51	8	9	4,1	330 x 330 x 190
V2E30A0M10100	Figure 2	312	443	443	395	395	192	340	84	36	8	9,0	450 x 450 x 289
V4E30A0M10100	Figure 2	312	443	443	395	395	192	340	84	36	8	8,9	450 x 450 x 289
V4E35A0M10100	Figure 2	362	493	493	445	445	192	390	84	36	8	8,5	500 x 500 x 289
V4E40A0M10100	Figure 2	415	543	543	495	495	192	440	84	36	8	8,8	550 x 550 x 289
V4E45A0M10100	Figure 2	460	593	593	545	545	192	490	84	36	8	10,6	600 x 600 x 289
V4E50A0M10100	Figure 2	512	648	648	600	600	192	540	84	36	8	12,8	654 x 654 x 289
V4E63A1M10100	Figure 2	646	775	775	715	715	247	670	105	40	10	21,5	780 x 780 x 353
V6E56A3M10100	Figure 2	574	700	700	640	640	247	600	105	40	10	21,5	705 x 705 x 370
V6E63A0M10100	Figure 2	646	775	775	715	715	247	670	105	40	10	21,1	780 x 780 x 353
V6E71A0M10100	Figure 2	712	850	850	790	790	247	740	105	40	10	21,2	855 x 855 x 353
V6E92A0M10100	Figure 2	915	1005	1005	947	947	247	940	93	40	10	24,0	-
V6E92A3M10100	Figure 2	915	1005	1005	947	947	247	940	93	40	10	24,0	-
V2D30A0M10100	Figure 2	312	443	443	395	395	192	340	84	36	8	10,0	450 x 450 x 289
V4D30A0M10100	Figure 2	312	443	443	395	395	192	340	84	36	8	8,8	450 x 450 x 289
V4D35A0M10100	Figure 2	362	493	493	445	445	192	390	84	36	8	9,6	500 x 500 x 289
V4D40A0M10100	Figure 2	415	543	543	495	495	192	440	84	36	8	8,5	450 x 450 x 289
V4D45A0M10100	Figure 2	460	593	593	545	545	192	490	84	36	8	11,5	600 x 600 x 289
V4D50A0M10100	Figure 2	512	648	648	600	600	192	540	84	36	8	10,7	654 x 654 x 289
V4D56A0M10100	Figure 2	574	700	700	640	640	247	600	105	40	10	18,4	705 x 705 x 370
V4D63A1M10100	Figure 2	646	775	775	715	715	247	670	105	40	10	21,6	780 x 780 x 353
V4D71A0M10100	Figure 2	712	850	850	790	790	247	740	105	40	10	23,9	855 x 855 x 353
V6D45A2M10100	Figure 2	460	593	593	545	545	192	490	84	36	8	11,0	600 x 600 x 289
V6D50A1M10100	Figure 2	512	648	648	600	600	192	540	84	36	8	13,0	654 x 654 x 289
V6D56A0M10100	Figure 2	574	700	700	640	640	247	600	105	40	10	14,8	705 x 705 x 370
V6D63A4M10100	Figure 2	646	775	775	715	715	247	670	105	40	10	20,0	780 x 780 x 353
V6D71A2M10100	Figure 2	712	850	850	790	790	247	740	105	40	10	21,3	855 x 855 x 353
V6D92A1M10100	Figure 2	915	1005	1005	947	947	247	940	93	40	10	25,0	-
V6D92A2M10100	Figure 2	915	1005	1005	947	947	247	940	93	40	10	24,1	-

ENERGY SAVING VENTILATION SOLUTIONS FOR AGRICULTURAL AND INDUSTRIAL APPLICATIONS



VOSTERMANS VENTILATION

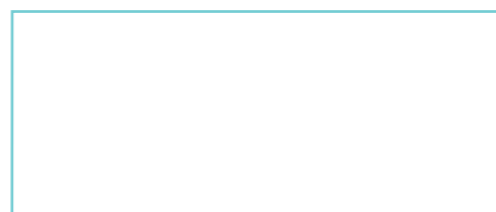
Vostermans Ventilation B.V.
P.O. Box 3025
NL-5902 RA Venlo – Holland
Tel. +31 (0)77 389 32 32
Fax +31 (0)77 382 08 93
ventilation@vostermans.com
www.vostermans.com

Vostermans Ventilation S.A.R.L.
B.P. 1801
27018 Evreux Cedex
France
Tel. +33 (0)2 32 38 11 00
Fax +33 (0)2 32 33 37 12
ventilation@vostermansfrance.com
www.vostermans.com

Vostermans Ventilation Inc.
2439 S.Main St. – USA
Bloomington, IL 61704
Tel. +1 309 827 - 9798
Fax +1 309 829 - 1993
ventilation@vostermansusa.com
www.vostermansusa.com

Vostermans Ventilation Sdn. Bhd.
330, Lot 2593, Jln Seruling 59, Kws3,
Tmn Klang Jaya, 41200, Klang,
Selangor D.E., Malaysia
Tel. +60 (0)33324 3638 (HL)
Fax +60 (0)33324 1239
ventilation@vostermansasia.com
www.vostermansasia.com

Vostermans Ventilation B.V. develops, manufactures and distributes the full line of:



Subject to alterations 10/2014

All rights reserved. Vostermans Companies is not responsible for inaccurate or incomplete data. In case of questions and / or regards, please contact ventilation@vostermans.com

Panel fans

Technical data single-phase 230 V / 50 Hz

	ø (mm)	RPM	Item	Type	P _{in} at 0 Pa (W)	SFP at 0 Pa (W/1000 m ³ /h)	I ₁ at 0 Pa (Δ) (A)	I ₂ at 0 Pa (Y) (A)	I ₁ max (Δ) (A)	I ₂ max (Y) (A)	Q _v (m ³ /h)						Controllability*	L _{PA} ** dB (A)					
											0 Pa								30 Pa	50 Pa	80 Pa	100 Pa	150 Pa
											0 Pa	30 Pa	50 Pa	80 Pa	100 Pa	150 Pa							
1~230V 50 Hz	200	1400	VWS20A01M1D	VWE20	60	92,3	0,5	-	0,5	-	650	-	-	-	-	-	E / T	43					
	250	1350	VWS25A01M1D	VWE25	100	83,3	0,7	-	0,7	-	1.200	-	-	-	-	-	E / T	45					
	300	2750	V2E30A0M10100	2E30	360	97,3	1,6	-	1,7	-	3.700	3.450	3.350	3.100	2.950	2.450	E / T	61					
	300	1400	V4E30A0M10100	4E30	100	42,6	0,5	-	0,6	-	2.300	2.050	1.700	-	-	-	E / T	44					
	350	1400	V4E35A0M10100	4E35	160	45,7	0,9	-	1,1	-	3.500	3.100	2.850	-	-	-	E / T	47					
	400	1350	V4E40A0M10100	4E40	230	47,4	1,1	-	1,2	-	4.850	4.350	4.000	3.300	-	-	E / T	50					
	450	1400	V4E45A0M10100	4E45	300	47,2	1,4	-	1,6	-	6.350	5.850	5.400	4.550	-	-	E / T	52					
	500	1400	V4E50A0M10100	4E50	450	53,6	1,9	-	2,1	-	8.400	7.750	7.250	6.350	5.550	-	E / T	55					
	630	1310	V4E63A1M10100	4E63	1400	83,8	6,3	-	6,9	-	16.800	15.800	15.200	14.300	13.500	11.200	-	68					
	560	940	V6E56A3M10100	6E56	460	50,5	2,3	-	2,8	-	9.200	8.500	7.900	6.600	-	-	E / T	52					
	630	910	V6E63A0M10100	6E63	590	48,1	2,7	-	3,5	-	12.200	11.100	10.300	8.650	-	-	E / T	55					
	710	910	V6E71A0M10100	6E71	590	43,8	2,8	-	3,5	-	13.600	12.300	11.300	9.700	-	-	E / T	60					
	920	920	V6E92A0M10100	6E92	750	35,6	3,3	-	3,8	-	21.000	18.600	16.800	13.900	-	-	-	61					
	920	935	V6E92A3M10100	6E92	650	36,0	2,9	-	3,8	-	18.000	16.300	14.600	11.900	-	-	E / T	61					

Technical data three-phase 230/400 V / 50 Hz

	ø (mm)	RPM	Item	Type	P _{in} at 0 Pa (W)	SFP at 0 Pa (W/1000 m ³ /h)	I ₁ at 0 Pa (Δ) (A)	I ₂ at 0 Pa (Y) (A)	I ₁ max (Δ) (A)	I ₂ max (Y) (A)	Q _v (m ³ /h)						Controllability*	L _{PA} ** dB (A)					
											0 Pa								30 Pa	50 Pa	80 Pa	100 Pa	150 Pa
											0 Pa	30 Pa	50 Pa	80 Pa	100 Pa	150 Pa							
3~230/400V 50 Hz	300	2750	V2D30A0M10100	2D30	330	89,2	1,2	0,7	1,3	0,7	3.700	3.550	3.400	3.200	3.050	2500	T / F	62					
	300	1450	V4D30A0M10100	2D35	90	39,1	0,5	0,3	0,5	0,3	2.300	2.000	1.700	-	-	-	T / F	44					
	350	1450	V4D35A0M10100	4D35	160	45,7	0,9	0,5	0,9	0,5	3.500	3.150	2.900	-	-	-	T / F	47					
	400	1350	V4D40A0M10100	4D40	210	44,7	1,0	0,6	1,0	0,6	4.750	4.250	3.900	3.050	-	-	T / F	50					
	450	1350	V4D45A0M10100	4D45	290	45,3	1,2	0,7	1,2	0,7	6.400	5.850	5.400	4.500	-	-	T / F	52					
	500	1400	V4D50A0M10100	4D50	380	45,5	1,8	1,1	1,9	1,1	8.350	7.700	7.150	6.300	5.450	-	T / F	55					
	560	1320	V4D56A0M10100	4D56	950	74,8	3,1	1,8	3,3	1,9	12.700	11.900	11.300	10.500	9.950	-	T / F	61					
	630	1360	V4D63A1M10100	4D63	1500	85,8	6,2	3,6	7,7	4,5	17.700	16.800	16.200	15.300	14.700	12.900	T / F	65					
	710	1380	V4D71A0M10100	4D71	1800	85,8	7,5	4,4	9,7	5,6	21.200	20.200	19.500	18.400	17.600	15.700	T / F	69					
	450	940	V6D45A2M10100	6D45-6PP-40	200	40,5	1,0	0,6	1,2	0,7	4.900	4.300	3.700	-	-	-	T / F	48					
	500	930	V6D50A1M10100	6D50	220	35,0	1,0	0,6	1,2	0,7	6.250	5.500	4.650	-	-	-	T / F	50					
	560	890	V6D56A0M10100	6D56	290	34,5	1,1	0,6	1,3	0,7	8.450	7.400	6.500	-	-	-	T / F	49					
	630	910	V6D63A4M10100	6D63-5PP-40	560	46,1	2,1	1,2	2,5	1,5	12.200	11.100	10.300	8.700	-	-	T / F	54					
	710	890	V6D71A2M10100	6D71	760	49,0	2,8	1,7	3,3	1,9	15.500	14.100	13.100	11.300	9.350	-	T / F	56					
	920	900	V6D92A1M10100	6D92	670	32,9	2,4	1,4	2,7	1,5	20.400	18.100	16.200	13.200	-	-	T / F	61					
	920	910	V6D92A2M10100	6D92-3PG-28	1050	42,5	4,1	2,4	5,0	2,9	24.500	22.600	20.500	17.300	14.300	-	T / F	-					

Data according ErP (Energy related Products)-directives (EU Commission Regulation 327/2011). Measurements without wireguard.

* E = Electronically controllable (electronic voltage control by TRIAC)

T = Trafo controllable (voltage control by transformer)

F = (Frequency controllable by frequency controller). A frequency controller in combination with a single-phase motor is possible.

** Sound pressure level measured at 7 m. free blowing distance. All motors meet the IP55 standard.