

# MBS

## Motor protection switches

The MBS-series exists of motor protection switches which protect fan motors against overload and phase failure. The current range is 0,4-25 Amps. For these switches an IP55 housing is available. Also available are auxiliary and alarm contacts. For single-phase motors provided with a thermo contact a special version is available.

### Advantages

- Optimal protection of the fan motor
- Solid
- Reliable

### Features

- Current range from 0,4 to 25 Amps (depending on type)
- Applicable as on/off and lockable operating switch
- Testing possibility
- Adjustable current range (MBSESM-series)
- Modular system
- Extendable with maximum 2 auxiliary contacts, 6 amps each
- IP55 housing available



MS series



Auxiliary contact



IP55 housing

## Overview MBS motor protection switches

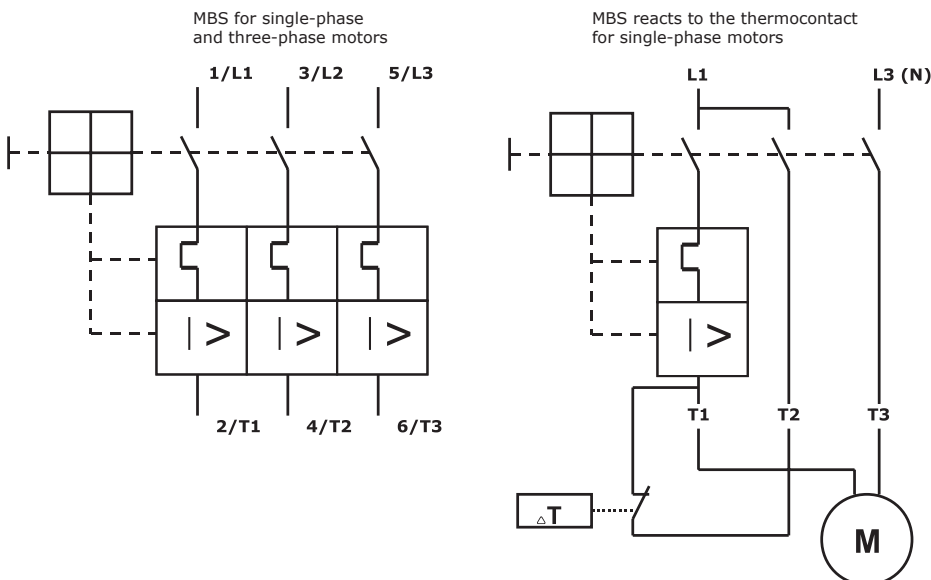
MBS motor protection switch for single-phase and three-phase motors		
Setting range in Amps.	Article number	Version
0,40-0,63	MBSESM063	interior
0,63-1,00	MBSESM1	interior
1,00-1,60	MBSESM116	interior
1,60-2,50	MBSESM125	interior
2,50-4,00	MBSESM4	interior
4,00-6,30	MBSESM463	interior
6,30-10,0	MBSESM10	interior
10,0-16,0	MBSESM16	interior
20,0-25,0	MBSESM25	interior

MBS motor protection switch for single-phase motors provided with thermo contact		
Setting range in Amps.	Article number	Version
0,40-10	MBSESC10ZK	interior

MBS Options	Article number	Version
IP55 housing for MBS	MBSESMGE1	Housing
Auxiliary contact make + break	MBSHS11	Side connection
Auxiliary contact 2 x make	MBSHS20	Side connection

## Diagram Motor Protection Switches

### MBS Motor Protection Switches



**Vostermans Ventilation developed the open modular system Mf-Net for various applications. Mf-Net is applied in agricultural and industrial market segments.**



## VOSTERMANS VENTILATION

Vostermans Ventilation B.V.  
P.O. Box 3025  
NL-5902 RA Venlo – Holland  
Tel. +31 (0)77 389 32 32  
Fax +31 (0)77 382 08 93  
[ventilation@vostermans.com](mailto:ventilation@vostermans.com)  
[www.vostermans.com](http://www.vostermans.com)

Vostermans Ventilation S.A.R.L.  
B.P. 1801  
27018 Evreux Cedex  
France  
Tel. +33 (0)2 32 38 11 00  
Fax +33 (0)2 32 33 37 12  
[ventilation@vostermansfrance.com](mailto:ventilation@vostermansfrance.com)  
[www.vostermans.com](http://www.vostermans.com)

Vostermans Ventilation Inc.  
2439 S.Main St. – USA  
Bloomington, IL 61704  
Tel. +1 309 827 - 9798  
Fax +1 309 829 - 1993  
[ventilation@vostermansusa.com](mailto:ventilation@vostermansusa.com)  
[www.vostermansusa.com](http://www.vostermansusa.com)

Vostermans Ventilation Sdn. Bhd.  
330, Lot 2593, Jln Seruling 59, Kws3,  
Tmn Klang Jaya, 41200, Klang,  
Selangor D.E., Malaysia  
Tel. +60 (0)33324 3638 (HL)  
Fax +60 (0)33324 1239  
[ventilation@vostermansasia.com](mailto:ventilation@vostermansasia.com)  
[www.vostermans.com](http://www.vostermans.com)

Vostermans Ventilation B.V. develops, manufactures and distributes the full line of:



All rights reserved. Vostermans Companies is not responsible for inaccurate or incomplete data. In case of questions and / or regards, please contact [ventilation@vostermans.com](mailto:ventilation@vostermans.com)

Subject to alterations 05/2012